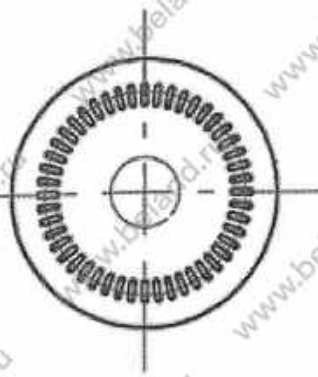
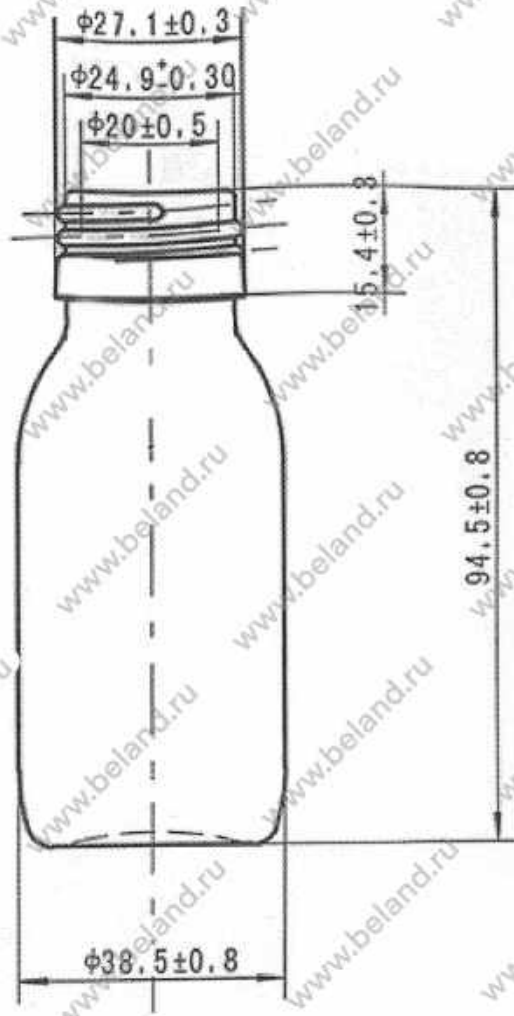
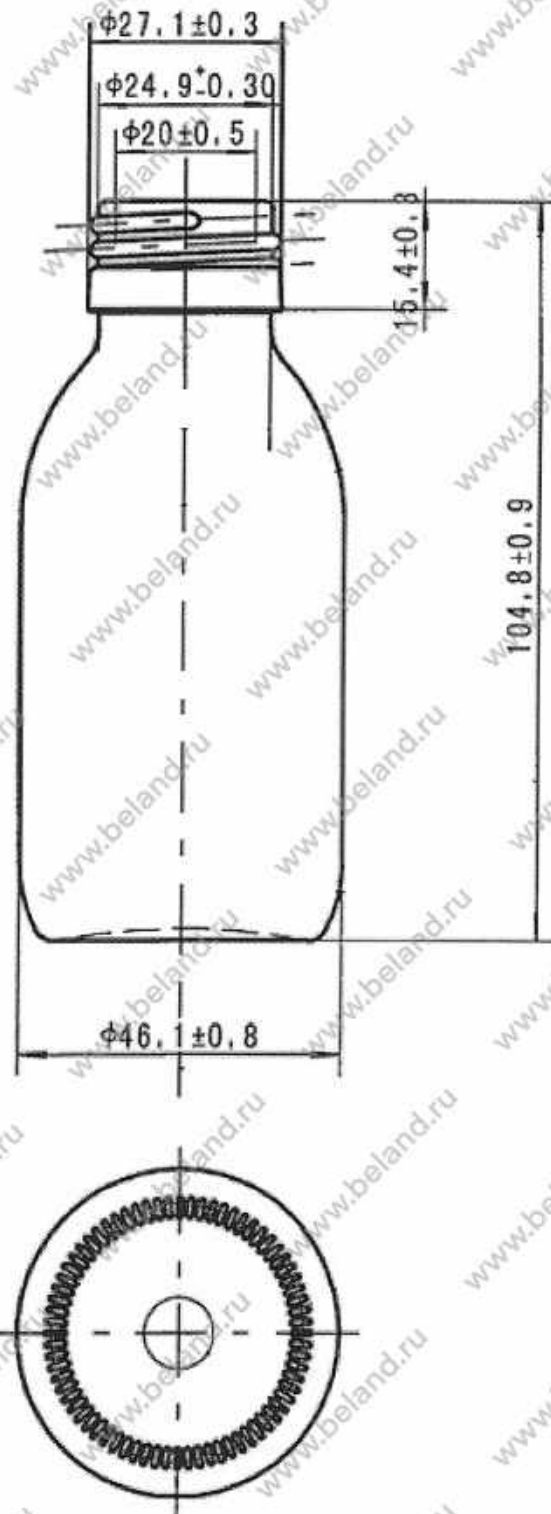


Mould No \_\_\_\_\_  
 Crescent skidproof design

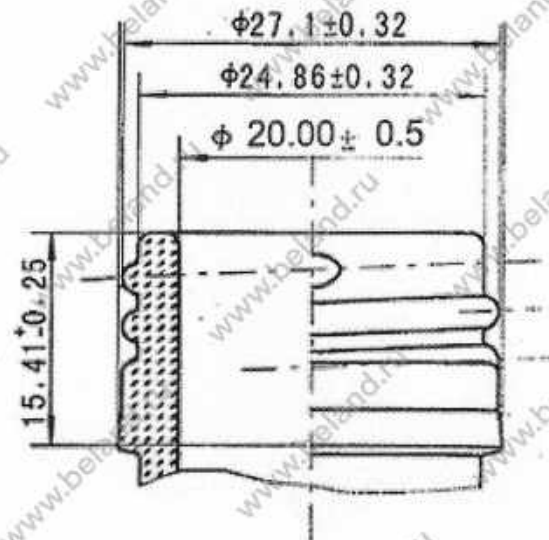
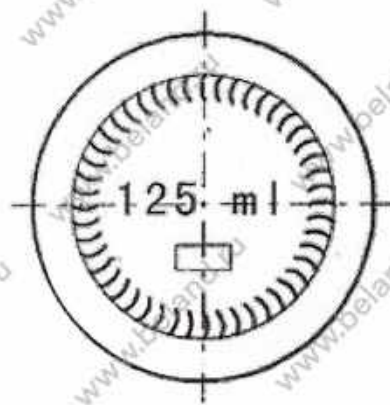
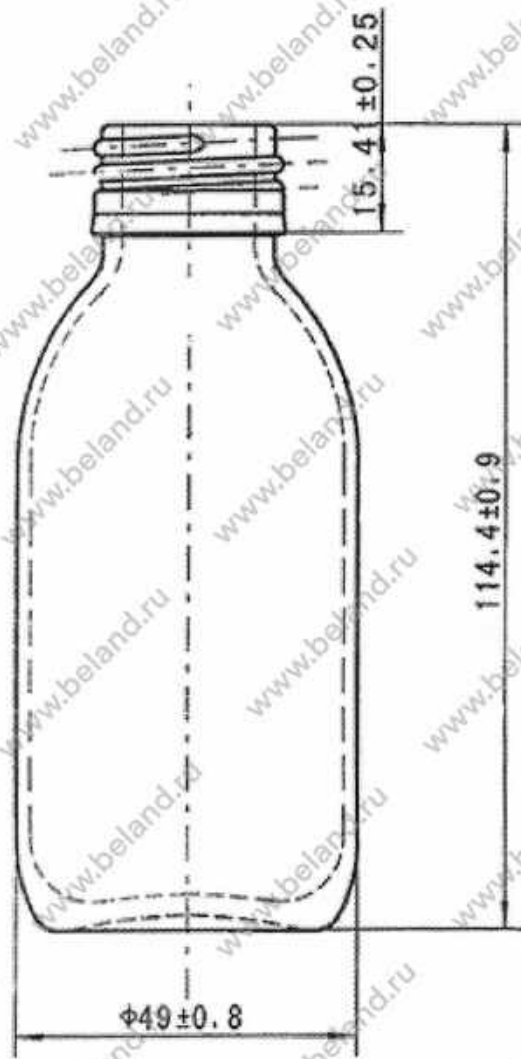
Filling Cap.:	30ml	DES'D by		REF. NO.:	30ml ZIDA
		Date:		DRG. NO.:	
Brimful Cap.:	35.5 ± 3ml	CHK'D by		Material:	USP Type III Soda-lime Glass
		Date:			
Weight:	40 ± 3g	APP'D by			
		Date:			



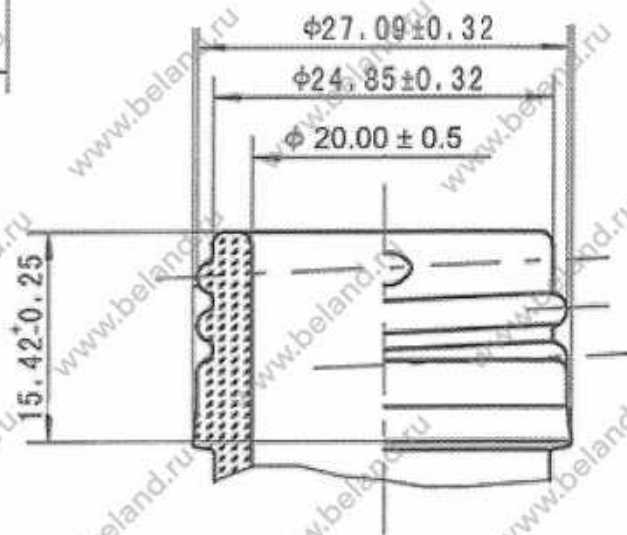
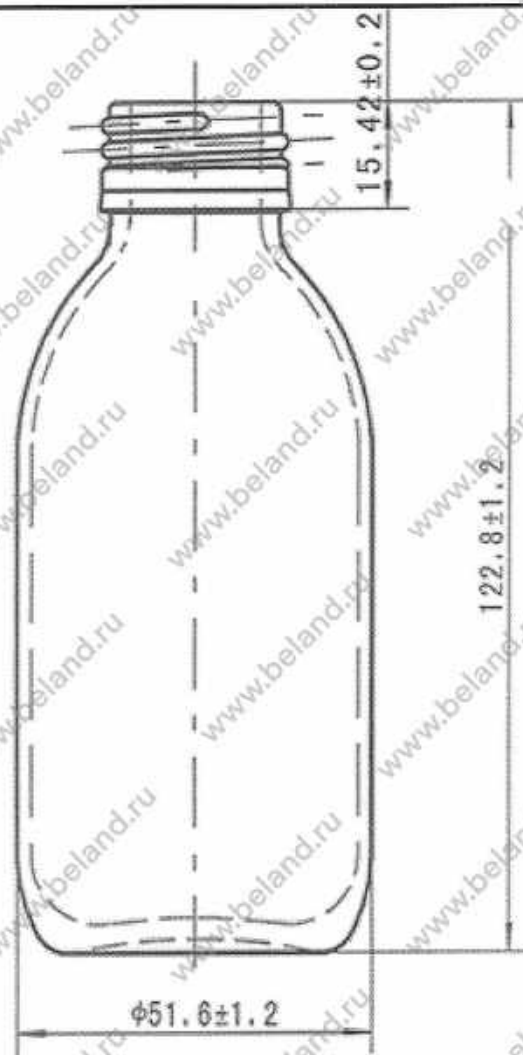
Filling Cap.	60ml	DES'D by		REF. NO.:	440601 #
		Date:		DRG. NO.:	
Brimful Cap.:	66ml $\pm$ 3ml	CHK'D by		Material	Glass Bottle for Syrup, Type III
		Date:			Made of Soda-lime Silica Glass
Weight:	60g	APP'D by			
		Date:			



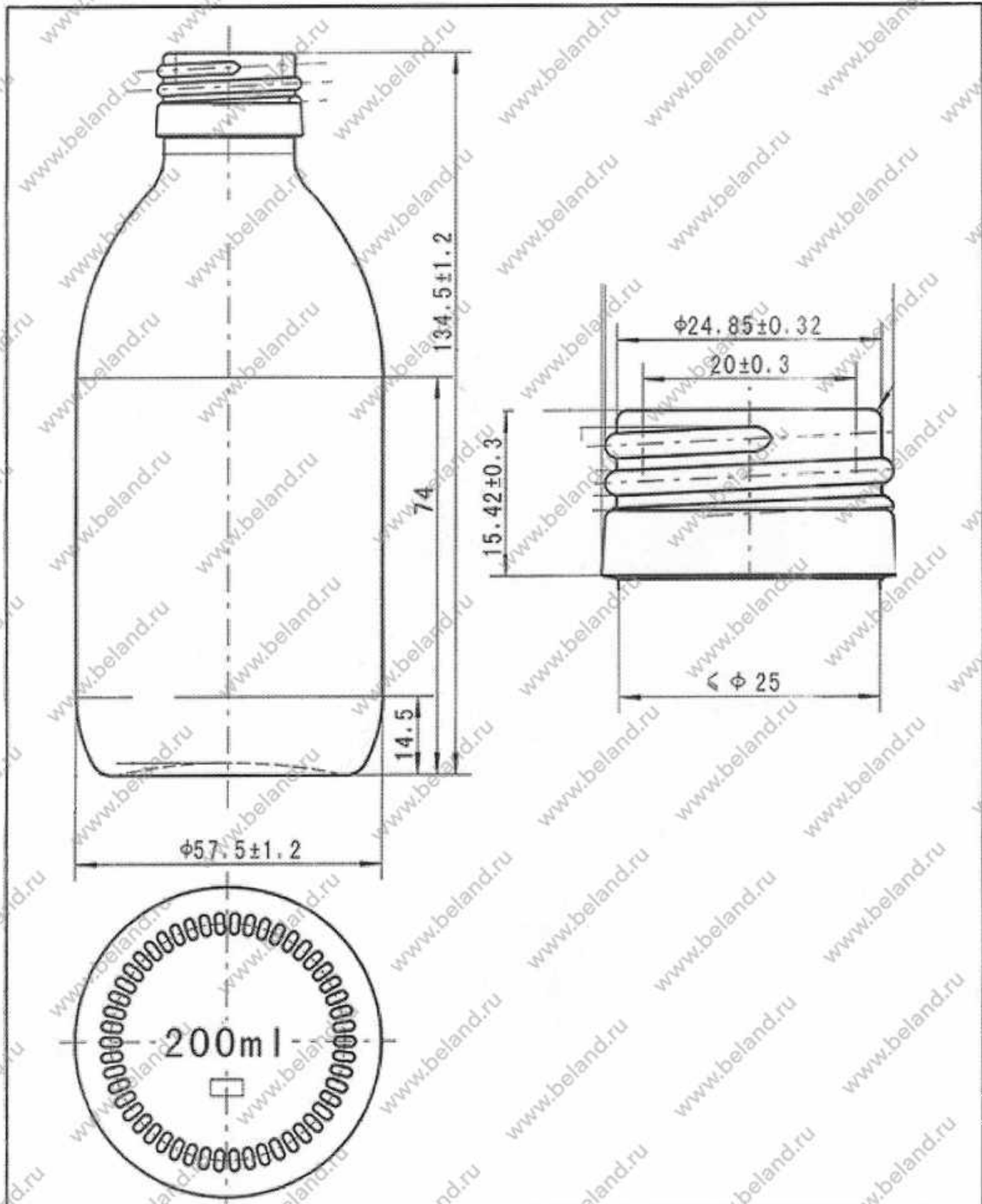
Filling Cap.:	100ml	DES'D by		REF. NO.:	441001 #
		Date:		DRG. NO.	
Brimful Cap.:	$108 \pm 3$ ml	CHK'D by		Material	Glass Bottle for Syrup, Type III
		Date:			Made of Soda-lime Silica Glass
Weight:	$\approx 72$ g	APP'D by			
		Date:			



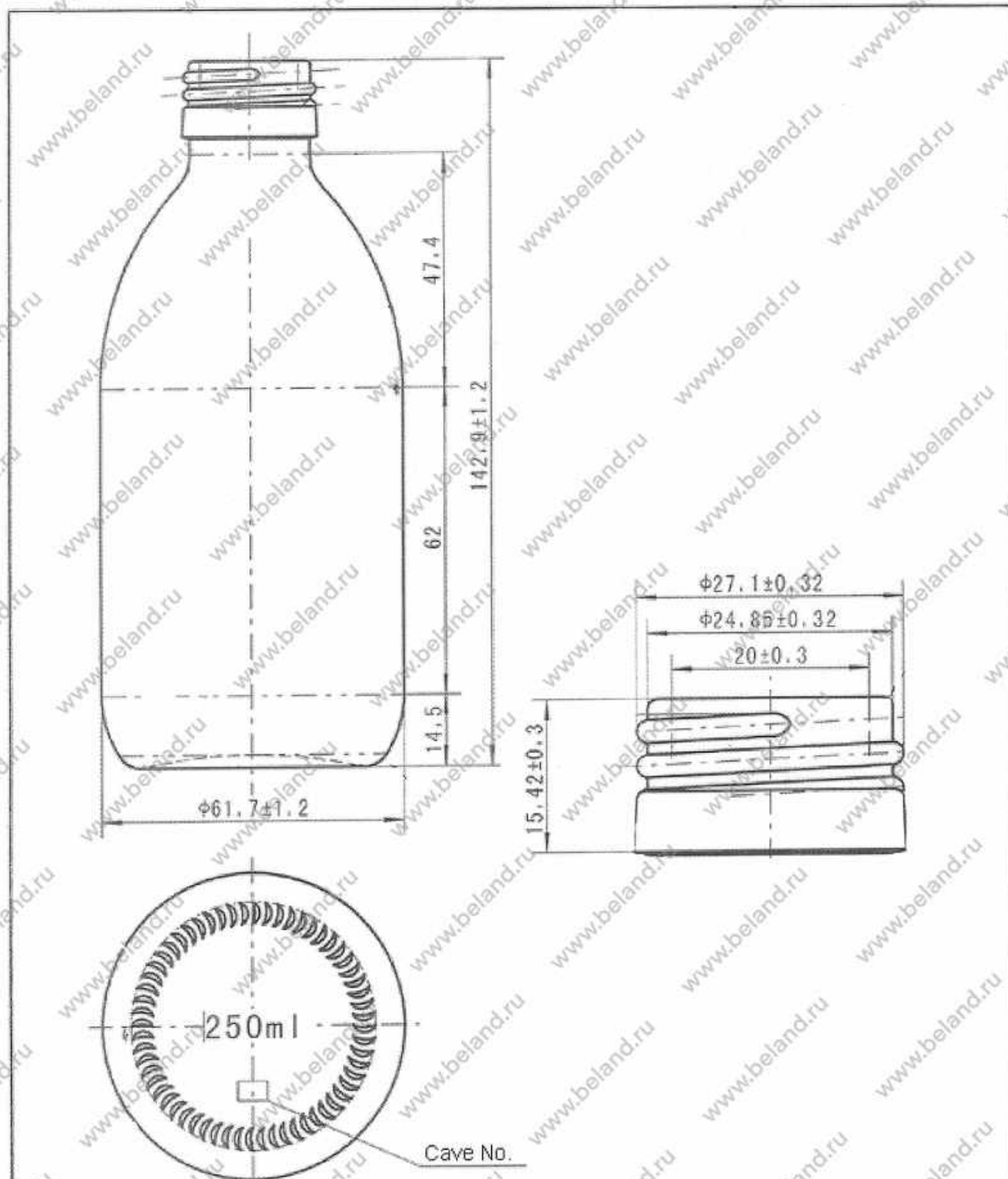
Filling Cap.:	125ml	DES'D by		REF. NO.:	441251.#
		Date:		DRG. NO.:	
Brimful Cap.:	133ml	CHK'D by		Material	Glass Bottle for Syrup, Type III
		Date:			Made of Soda-lime Silica Glass
Weight:	90g	APP'D by			
		Date:			



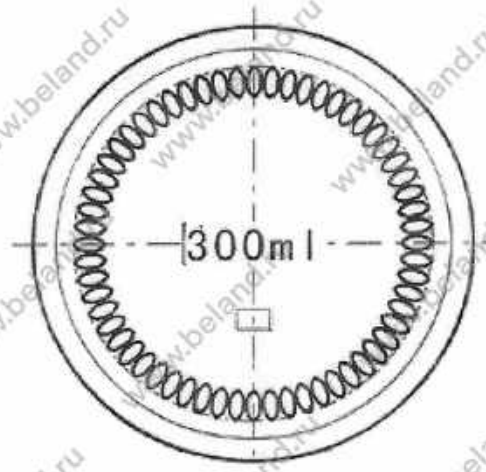
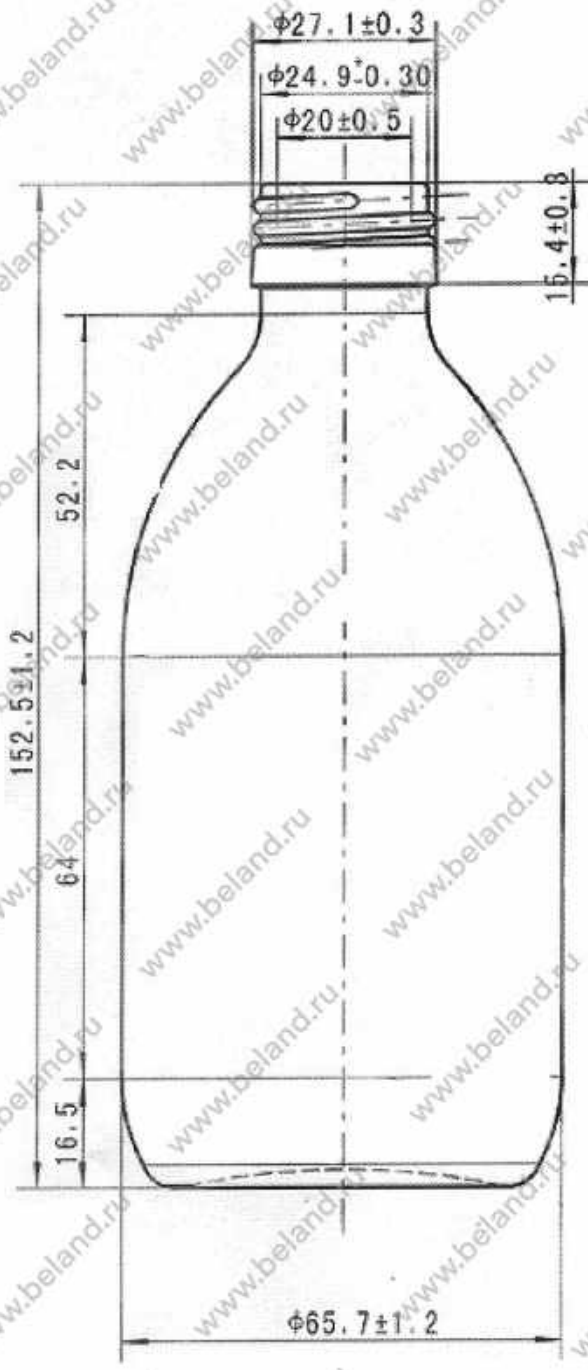
Filling Cap.:	150ml	DES'D by		REF. NO.:	
		Date:		DRG. NO.:	
Brimful Cap.:	158ml	CHK'D by		Material	USP Type III Soda-lime Glass
		Date:			
Weight:	≈ 98g	APP'D by			
		Date:			



Filling Cap.	200ml	DES'D by		REF. NO.:	442002 #
		Date:		DRG. NO.:	
Brimful Cap.:	213ml±5ml	CHK'D by		Material	Glass Bottle for Syrup, Type III
		Date:			Made of Soda-lime Silica Glass
Weight:	125g	APP'D by			
		Date:			

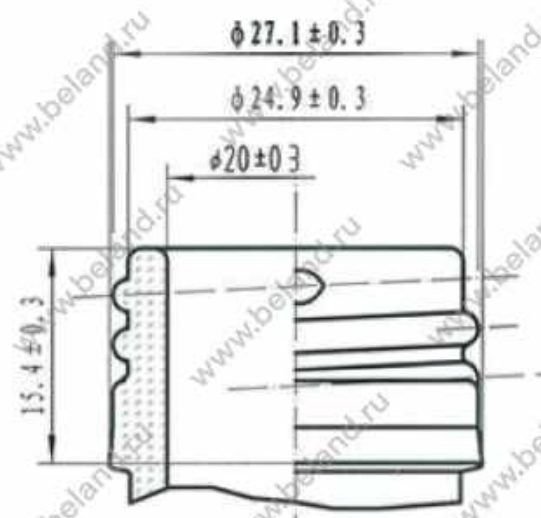
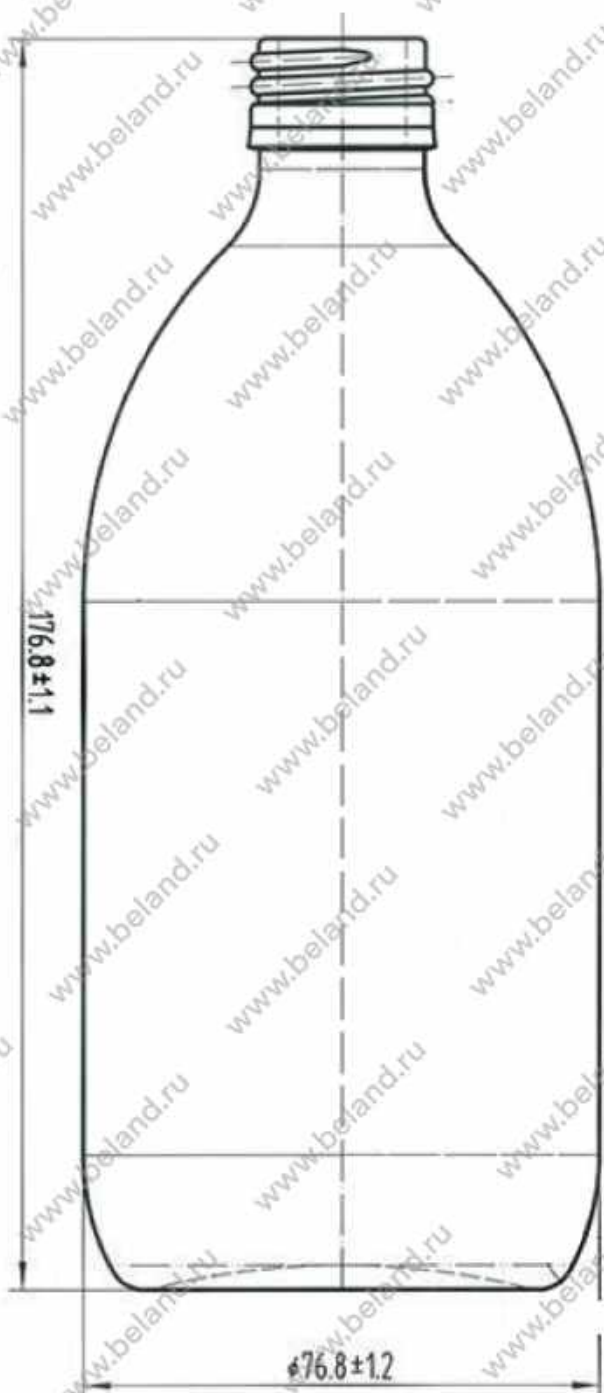


Filling Cap.:	250ml	DES'D by		REF. NO.:	
		Date:		DRG. NO.:	
Brimful Cap.:	260±6ml	CHK'D by		Material	Glass bottle , Type III
		Date:			Made of Soda-lime Glass
Weight:	≈150g	APP'D by			
		Date:			

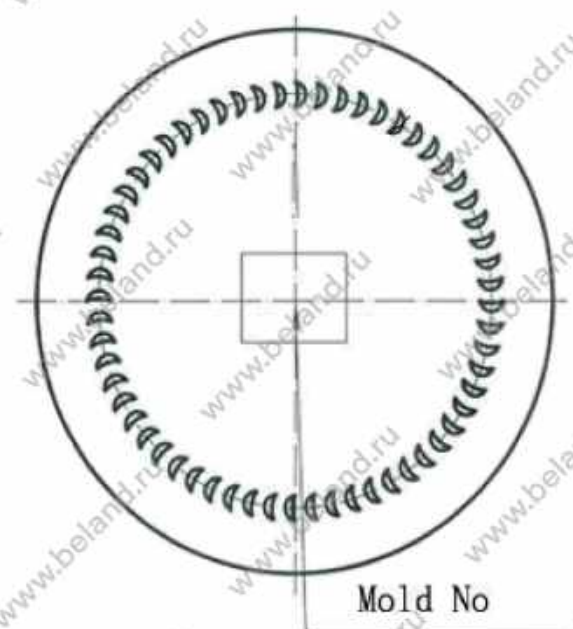


Filling Cap.		DES'D by		REF NO	443001
		Date:		DRG NO	
Brimful Cap.:	315 ± 5ml	CHK'D by		Material	Glass bottle, Type III
		Date:			Made of Soda-lime Glass
Weight:	≈ 170g	APP'D by			
		Date:			





SCALE: 2: 1



Filling Cap.:	500ml	DES'D by		REF NO	445001
		Date:		DRG.NO	
Mark Cap.:	512±5ml	CHK'D by		Material	Glass bottle , Type III
		Date:			Made of Soda-lime Glass
Weight	≈ 260g	APP'D by	Company		